

Driver-Integrated Transmitter Module 4 ch, 25.8 Gbps, LAN-WDM MUX Integrated 100 GE

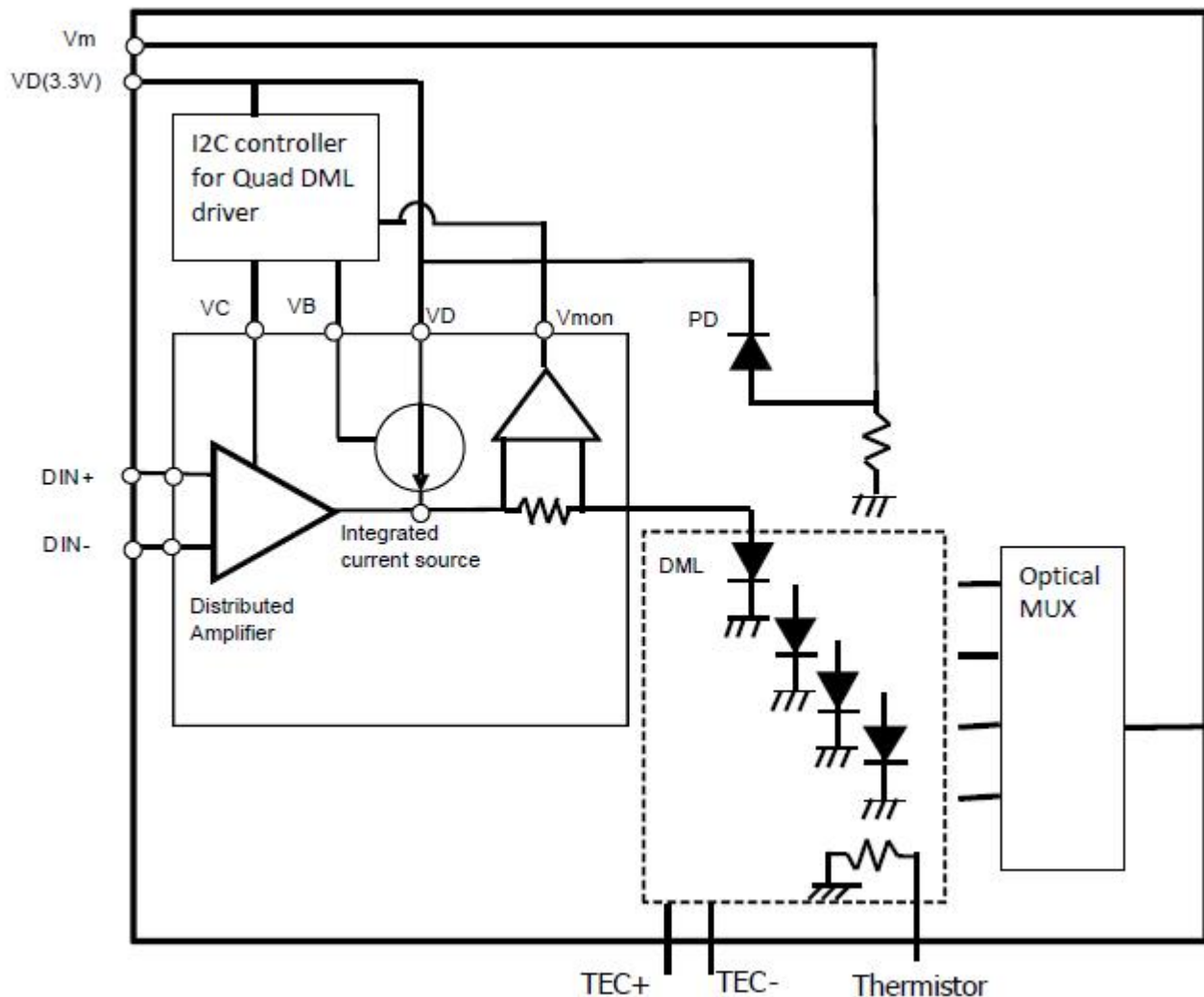
Features

- Up to 25.8Gbps operation (NRZ)
- Cooled Direct Modulation Laser (DML) base TOSA for LAN-WDM
- Low power consumption Quad channel driver IC integrated
- I²C Serial Interface
- LAN-WDM Optical MUX integrated
- Single TEC (Thermo-Electric Cooler) for all DMLs temperature control
- Flexible Printed Circuit boards (FPCs) for electrical IF, and LC receptacle

Applications

- CFP2/CFP4/QSFP28 transceiver
- 100GE LR4 (IEEE 802.3ba)

Modular Block Diagram



Driver-Integrated Transmitter Module
4 ch, 25.8 Gbps, LAN-WDM MUX Integrated 100 GE

Optical and Electrical Characteristics

Parameter	Symbol	Condition	Min	Typ	Max	Unit
Laser						
Peak Wavelength for L0 * ¹	0	EOL	1294.53	1295.56	1296.59	nm
Peak Wavelength for L1 * ¹	1	EOL	1299.02	1300.05	1301.09	nm
Peak Wavelength for L2 * ¹	2	EOL	1303.54	1304.58	1305.63	nm
Peak Wavelength for L3 * ¹	3	EOL	1308.09	1309.14	1310.19	nm
Output Average Power each lane* ¹	Pf	BOL	0	1.0	3.0	dBm
Optical Modulation Amplitude	Poma	BOL	0	1.0	3.5	dBm
Side-mode Suppression Ratio	SSR	-	30	-	-	dB
Monitor Diode						
Monitor Bias Voltage	Vm	-	0.5	-	2.2	V
Optical Isolation						
Optical Isolation	-	Tc=-5-75C	20	-	-	dB

*¹) 25.8Gbps, PRBS=2³¹-1.